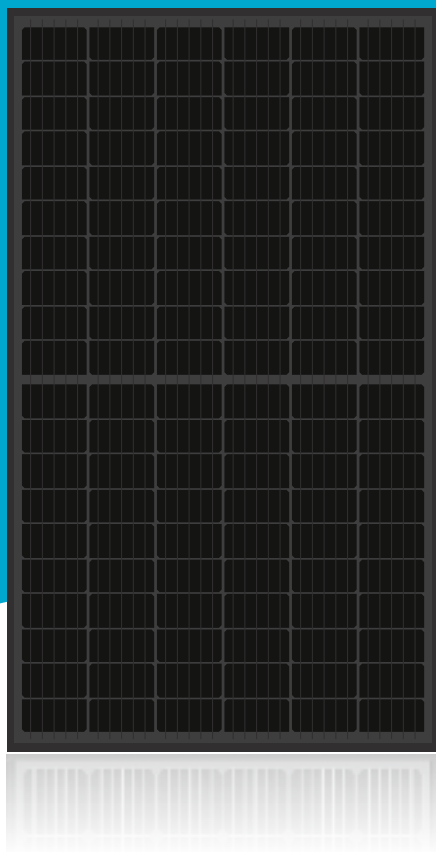


SC 60-Cell 310 ~ 325W



HALF-CUT Series

1,000V Monocrystalline PV Module



QUALIFICATIONS & CERTIFICATIONS

IEC 61215 & 61730, ISO 9001,
ISO 14001, ISO 45001



FEATURES



Enhanced External Load/Impact

Snow Load : 5,400 Pa
Wind Load : 2,400 Pa
Hail Impact : 25m/s (speed ball)



Fire Safety

Safety Class II



Various Options Available

Black or Silver Frame
All Black Module



PID Resistance

Enhanced Potential Induced Degradation
Resistance

S-Energy Co., Ltd.

A 20 Pangyojeok-ro 241beongil, Bundang-gu, Seongnam-si, Gyeonggi-do, Korea (3F MiraeAsset Tower)
T +82-70-4339-7100 F +82-70-4339-7199 E inquiry@s-energy.com

S-Energy America, Inc.

A 18022 Cowan, Suite 260, Irvine, CA 92614, U.S.A.
T +1-949-281-7897 F +1-949-281-7893 E sales.us@s-energy.com

S-Energy Japan Co., Ltd. (Osaka Headquarters)

A 8F, MJ Abeno Bldg., 1-5-1 Maruyama-dori, Abeono-ku, Osaka-shi, Osaka, Japan
T +81-6-4703-5388 F +81-6-4703-5387 E sales_jp@s-energy.com

S-Energy Japan Co., Ltd. (Tokyo Branch)

A Fukuroku Building 2F, 2-7 Kanda-Tsukasamachi, Chiyoda-ku, Tokyo, Japan
T +81-3-6261-3759 F +81-3-6261-3769 E sales_jp@s-energy.com

Homepage



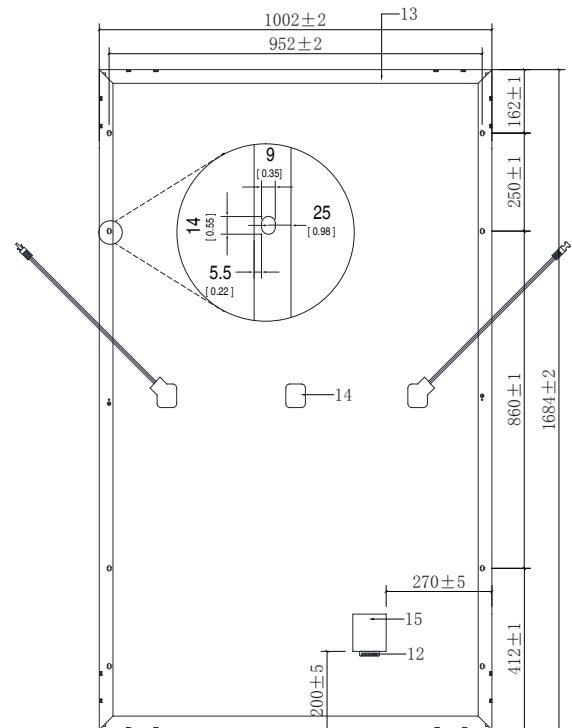
D - H - M - 3 - S

ELECTRICAL CHARACTERISTICS

STC (Irradiance 1,000W/m ² , module temperature 25°C, AM=1.5)	SC310M-20D	SC315M-20D	SC320M-20D	SC325M-20D
Rated Power (Pmax)	310W	315W	320W	325W
Voltage at Pmax (Vmp)	32.98V	33.18V	33.40V	33.60V
Current at Pmax (Imp)	9.41A	9.50A	9.59A	9.68A
Warranted Minimum Pmax	310W	315W	320W	325W
Short-Circuit Current (Isc)	9.90A	9.98A	10,04A	10,11A
Open-Circuit Voltage (Voc)	40.67V	40.83V	40.97V	41.11V
Module Efficiency *	18.37%	18.67%	18.96%	19.26%
Operating Module Temperature	-40°C to + 85°C			
Maximum System Voltage	1,000V			
Maximum Series Fuse Rating	20A			
Power Tolerance	0 ~ +3%			

MECHANICAL CHARACTERISTICS

Solar Cells	Monocrystalline 158.75 x 158.75mm
Number of Cells	120 Cells (6x20 Matrix)
Dimensions	1,684 x 1,002 x 35mm
Weight	18.8kg
Front Glass	High-Transmittance Low Iron Tempered Glass
Frame	Anodized Aluminum Frame (Silver / Black)
Output Cables	PV Wire (PV1-F), 12AWG (4mm ²), Cable Length : 1,000mm
Connectors	Original MC4 / MC4 Compatible



TEMPERATURE CHARACTERISTICS

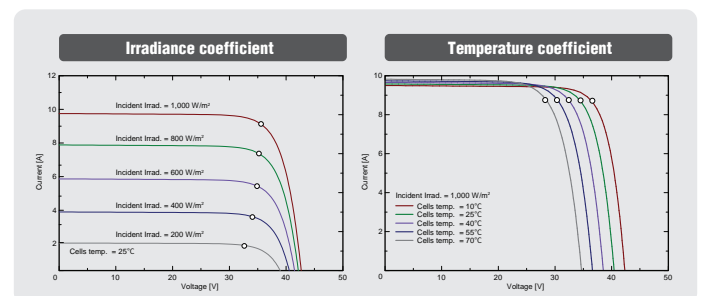
Temperature coefficient of Isc	0.06 % / °C
Temperature coefficient of Voc	-0.30 % / °C
Temperature coefficient of power	-0.39 % / °C
NMOT(Tair 20°C ; Irradiance 800W/m ² ; Wind 1m/s)	45±2 °C

WARRANTY

Product Warranty	12-year Limited Product Warranty
Performance Warranty	Minimum Power Output for Year 1 : 97%
	Maximum Power Decline from Year 2 to 24 : 0.7%
	Power Output in Year 25 : 80.2%

PACKING CONFIGURATION

Container	40' H/C
Modules Per Pallet	31pcs
Pallets Per Container	26pallets
Modules Per Container	806pcs



REMARKS

- Pmax measurement tolerance : ±2.5%
- S-Energy uses triple A class simulator.
- Specification subject to change without prior notice.
- S-Energy reserves the rights of final interpretation.